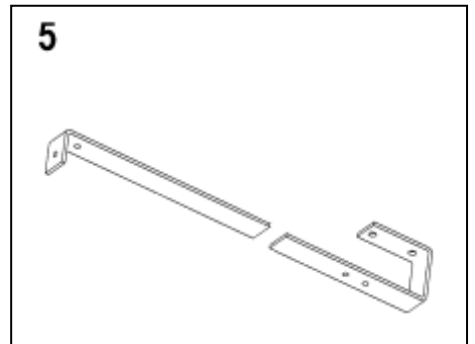
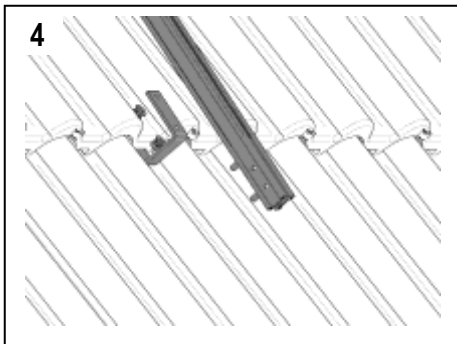
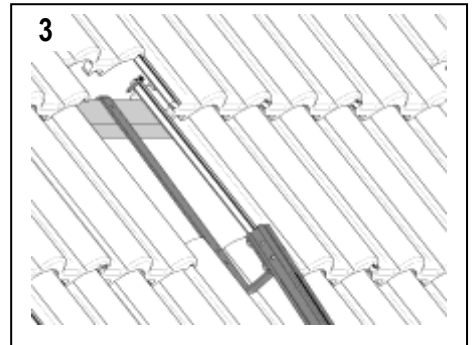
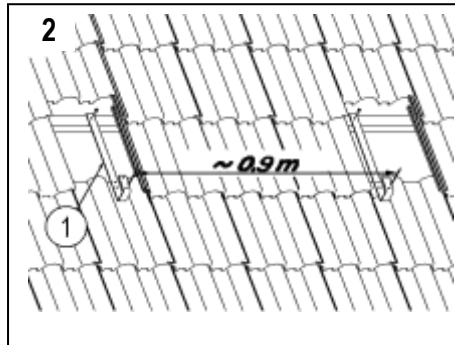
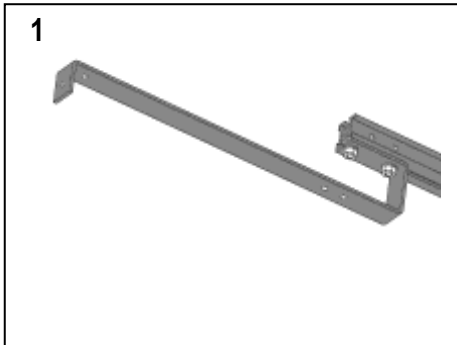


KSRL-1 UNIVERSAL HOLDER ASSEMBLY INSTRUCTION



No	Name	Mount
1	Hook	2



The assembly of the KSRL-1 universal holder should be done similarly to the assembly of the KSRL-2 universal holder for two collectors.

The KSRL-1 universal holder is used to mount an additional KSR10 collector.

Steps of the assembly:

1. Attach the hook holders **(1)** to the upper endings of the vertical bar (elements delivered with the collectors) and tighten the nuts.
2. Remove roof tiles from the places where the bottom hook holder **(1)** will rest, and attach the hook holder to the lath with wood screws. Leave about 0.9 m of space from the outermost bottom hook holder of the KSR10.
3. Remove roof tiles from the places where the top hook holder **(1)** will rest, and attach the hook holder to the lath with wood screws. The space between the top and the bottom hook holders should be about 1.7m.
4. Connect the vertical bar with the bottom hook holder **(1)** and tighten the nuts.

Additional information:

- If the roof is covered with metal roofing tiles or bituminous material, the hook holders should be modified by cutting off the hooks **(fig. 5)**.
- Screws, washers, nuts and inserts necessary for attaching the collector's frame to the hook holders are included in the set with the collector.