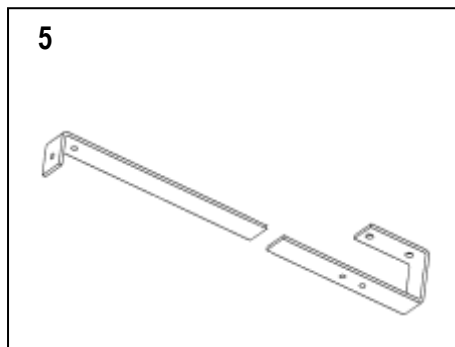
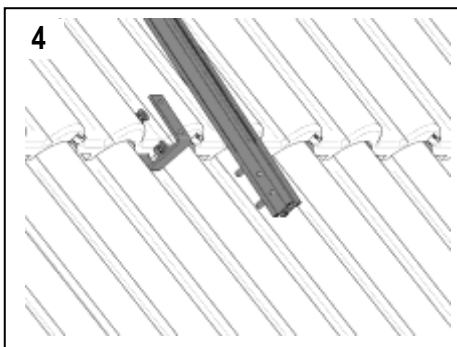
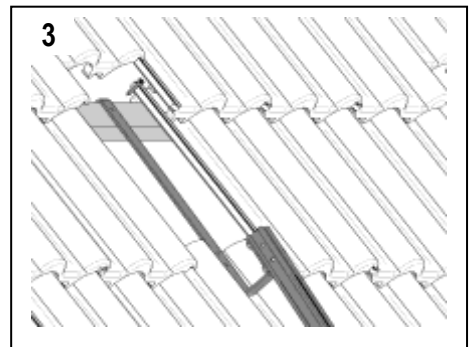
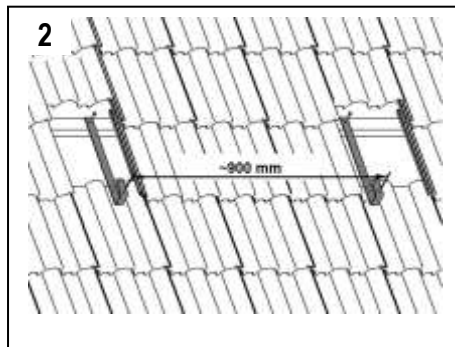
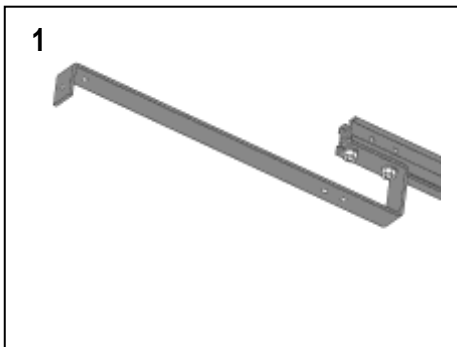


KSRL-2 UNIVERSAL HOLDER ASSEMBLY INSTRUCTION



No	Name	Mount
1	Hook	4



The KSRL-2 correcting holder is used to mount the 2×KSR10 set.

Steps of the assembly:

1. Attach the hook holders (1) to the upper endings of the vertical bars (elements delivered with the collectors) and tighten the nuts.
2. Remove roof tiles from the places where the bottom hook holders (1) will rest, and attach the hook holders to the lath with wood screws. Leave about 0,9 m of space between the hook holders.
3. Remove roof tiles from the places where the top hook holders (1) will rest, and attach the hook holders to the lath with wood screws. The space between the top and the bottom hook holders should be about 1.7m.
4. Connect the vertical bars to the bottom hook holders (1) and tighten the nuts.

Additional information:

- If the roof is covered with metal roofing tiles or bituminous material, the hook holders should be modified by cutting off the hooks (fig. 5).
- Screws, washers, nuts and inserts necessary for attaching the collector's frame to the hook holders are included in the set with the collector.