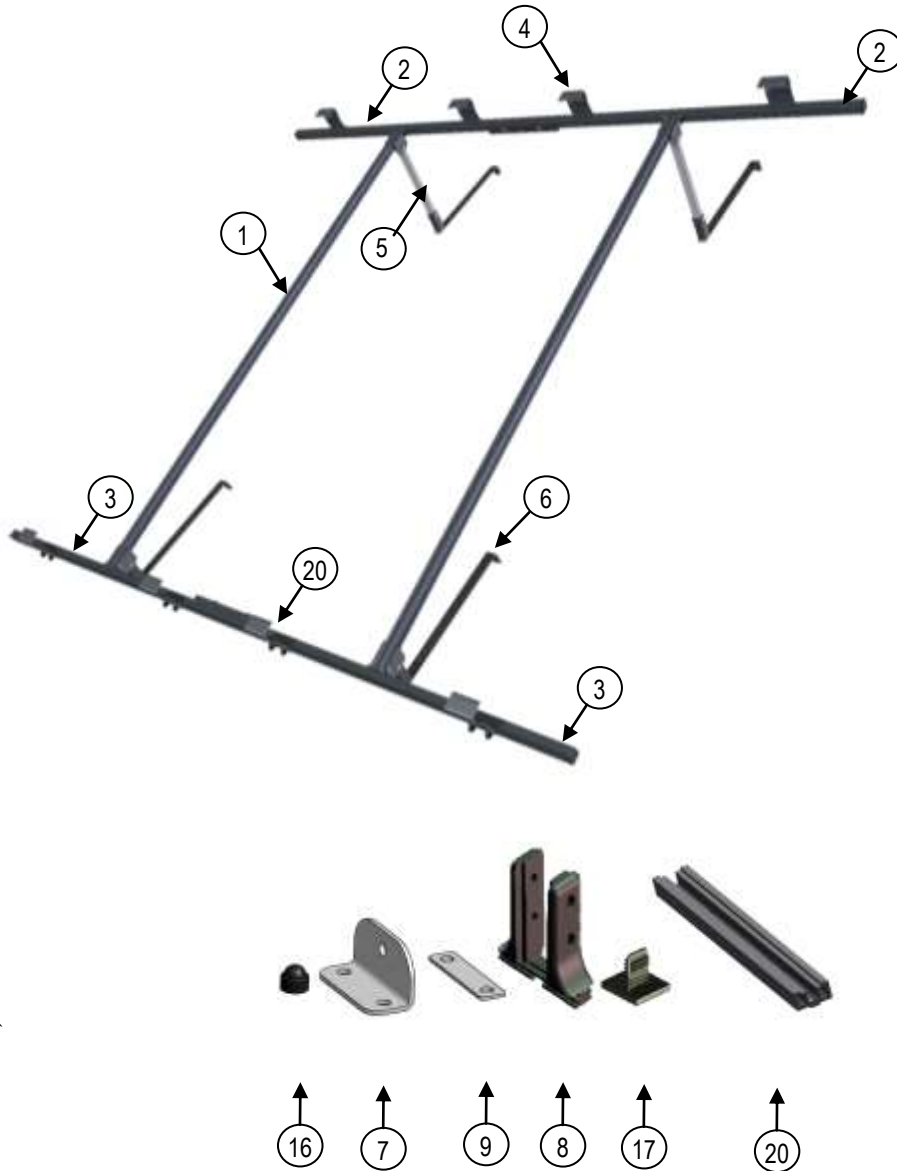
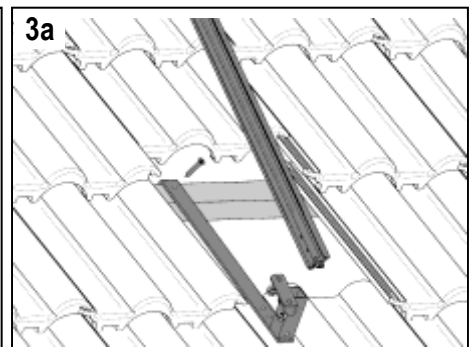
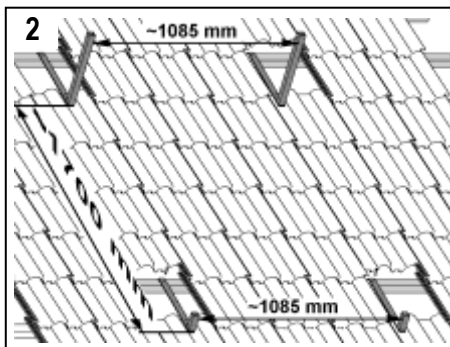
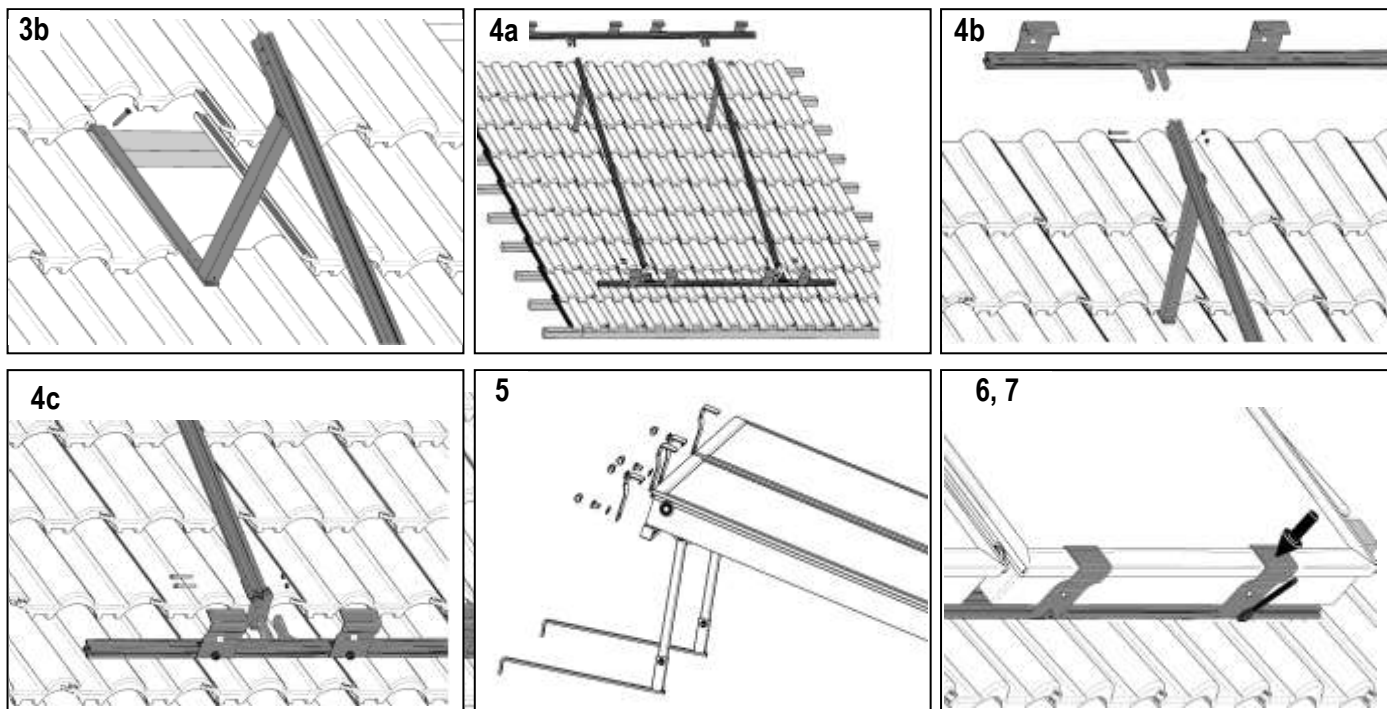


MANUAL OF INSTALLING KSOL-2 ADJUSTING HANDLE FOR 2 KS2000/2100/2300/2500/2600 COLLECTORS



No	Name	Mount
1	Vertical profile (1930mm)	2
2	Upper horizontal profile: KS2000/2100 (1085mm) KS2300 (1190mm) KS2500 (1295mm) KS2600 (1362mm)	2
3	Lower horizontal profile: KS2000/2100 (1085mm) KS2300 (1190mm) KS2500 (1295mm) KS2600 (1361mm)	2
4	Collector grasper	8
5	Profile 25x25x2	2
6	Lower hook	4
7	Connector	4
8	Connector AI	4
9	Insert	4
10	Screw M6x40	8
11	Nut M6	8
12	Screw M8x20	8
13	Screw M8x40	6
14	Washer Ø8	34
15	Nut M8	6
16	Nut cap	8
17	End cap	4
18	Square nut	12
19	Screw M8x14	8
20	Straight connector	2
21	Screw M8x25	4
22	Screw M8x16	8





KSOL-2 adjusting handle is used to mount a set of two KS2000-KS2600 collectors.

Steps of the assembly:

1. Screw two profiles (5) with two hooks (6).
2. After removing the tiles mount lower hooks (6) with screw to roof battens in distance of about KS2000/2100 – 1085mm, KS2300 – 1190mm, KS2500 – 1295mm, KS2600 – 1360mm. Connect lower horizontal profiles (3) (with additional shelf) and upper horizontal profiles (2) using straight connector.
3. Mount vertical profiles (1) placing the upper hooks so that they fit well with previously mounted lower hooks. Mount the upper hooks to roof batten using screws. Screw tightly nuts which mount bottom hooks.
4. Attach the connectors (8) and connect upper horizontal profile (2), and lower horizontal profile (3) to vertical profiles (1). Put the end caps (17) on the endings of horizontal profiles.
5. During the assembly, remove the upper collector graspers (4). Place solar collectors on the rack with distance between them 85mm. Put on and screw tight the top graspers of the collector (4).
6. Using M8x16 screws (22) fasten the collector to the bottom graspers (using rivet nuts mounted in the collector).
7. Using M8x16 screws (22) fasten the collector to the upper graspers (using rivet nuts mounted in the collector).
8. Slide the collector to strictly adhere to the lower horizontal profile (3), screw tight the bottom graspers of the collector (4) and put caps on the nuts (17).
9. Push in and screw tight the upper graspers of the collector (4) and put caps on the nuts (17).

Additional information:

If the roof is covered with metal roofing tiles or bituminous material, the hooks holders (6) should be modified by cutting off the hooks.

