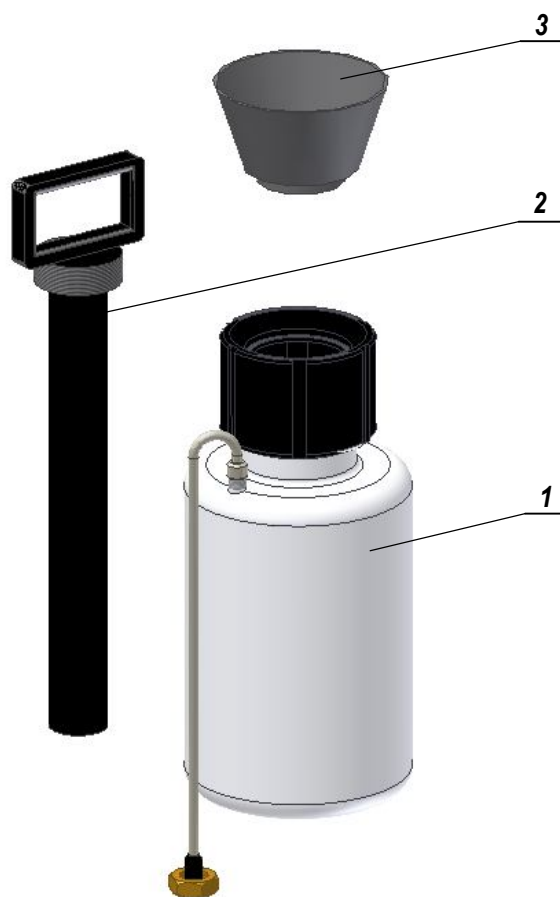


MANUAL PUMP



1. Table of elements (Fig. 1):

No.	Description of element	Quantity
1	Solar pump vessel with hose	1 set
2	Solar pump piston rod	1 ea.
3	Funnel	1 ea.

2. Function

The solar pump is used for filling the system with liquid and obtaining the required liquid overpressure (max. 3 bar). After the system is filled it serves as an overflow vessel for safety valve.